

Big Leg Double

SWGB003 - (Junior) SWGB004 - (Senior)

The Big Leg Double is an Australian made playground swing set available in junior and senior versions, offering four classic swing seats designed for timeless motion play and endless fun. Constructed with robust steel and quality fittings, it delivers a safe, durable and long lasting swinging experience, making it an excellent choice for parks, schools and community spaces that want to support active play, coordination and social interaction.



Specifications

Age range: 5-12 years

Equipment height: 2500mm (Junior) 2800mm (Senior)

Fall zone: 21.7m² (Junior) 23.2m² (Senior)

Max fall height: 1405mm (Junior) 1555mm (Senior)

Play Types



Standards

Complies with relevant Australian Standards including: AS 4685:2021 (P1-6) | AS 4685.0:2017 | AS4422 (Int):2022

*All information is commercial in confidence and is the property of The Play Collective. For details regarding Australian standards, warranties, insurances, QA and installation, please contact your local office. All information is correct as at February 2024.

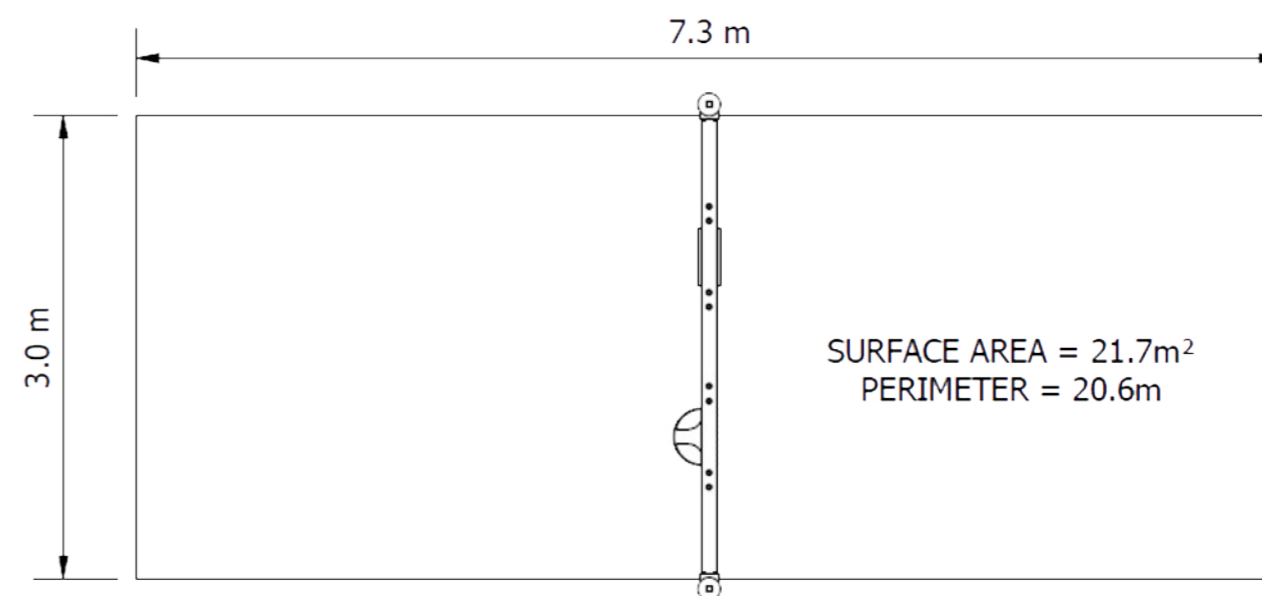
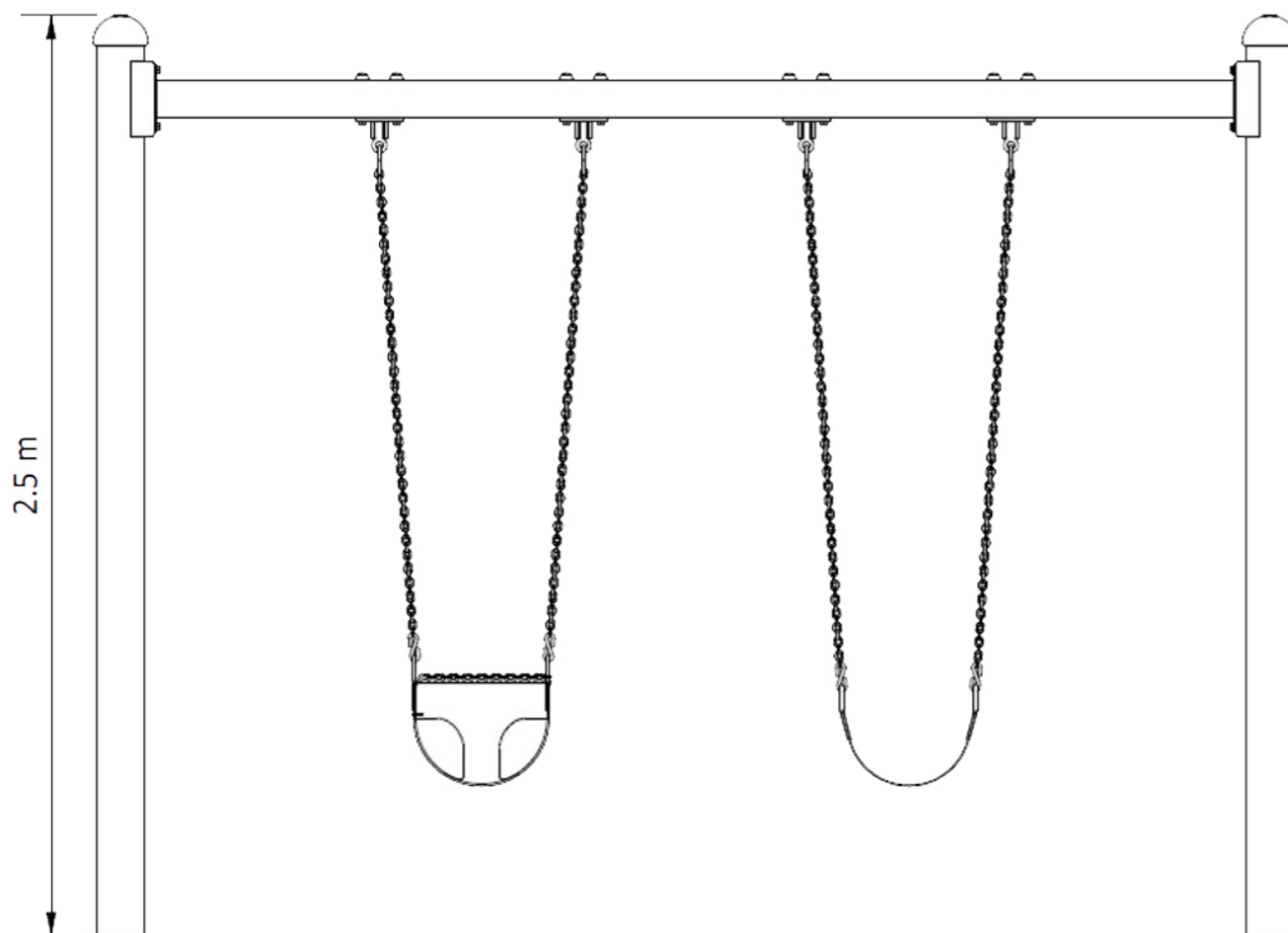
Big Leg Double

SWGB003 Junior



Elevation

Plan View



To learn more about our warranty, compliance, materials, or colour palette and customisation options, contact PlayCo:

1800 655 041 | hello@playco.com.au | playco.com.au

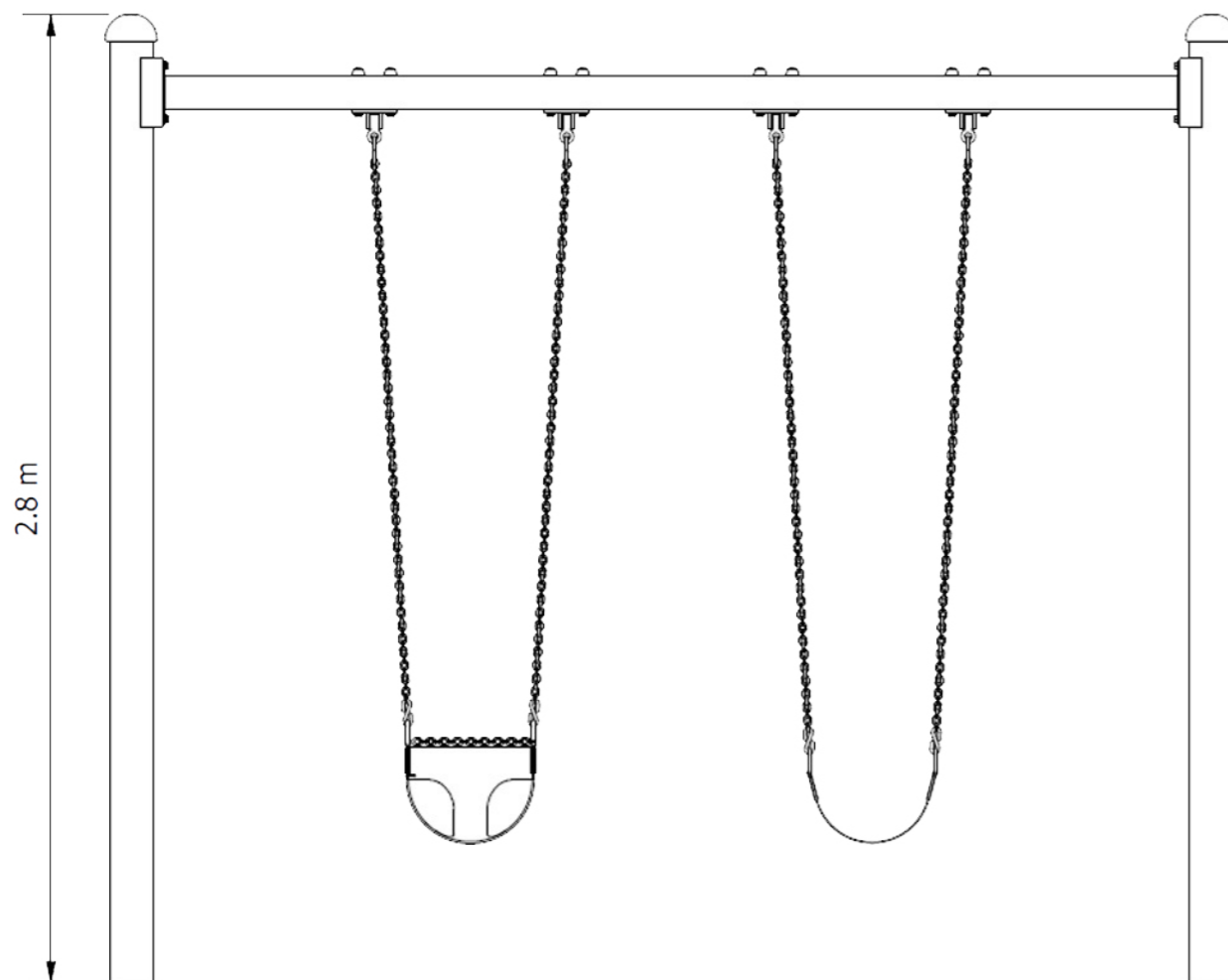


Big Leg Double

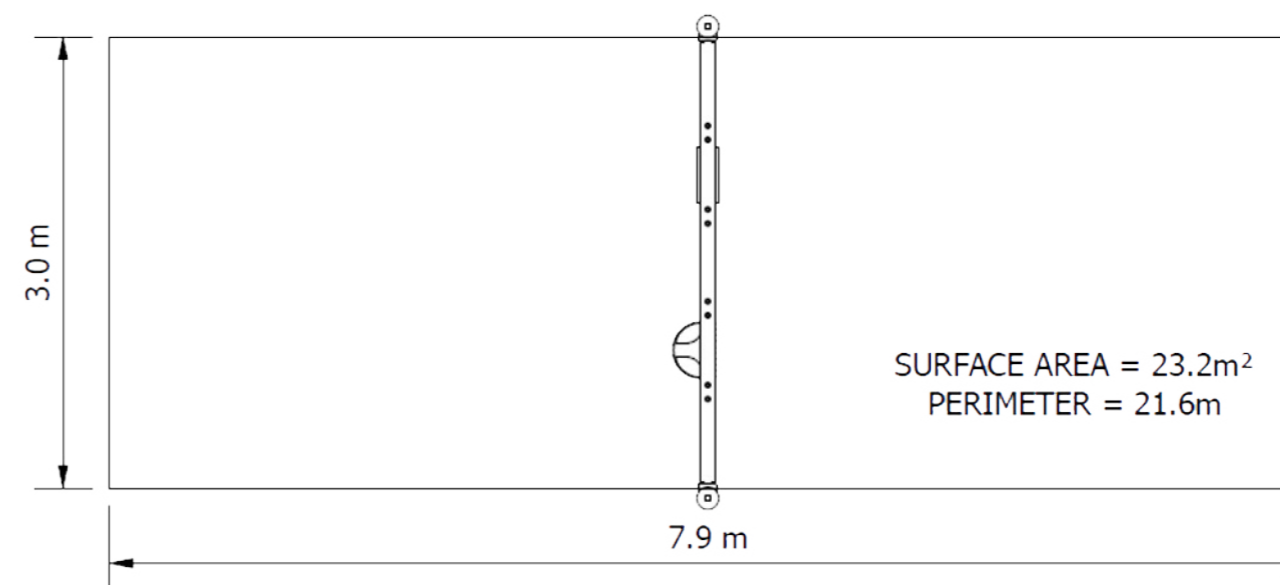
SWGB004 Senior



Elevation



Plan View



To learn more about our warranty, compliance, materials, or colour palette and customisation options, contact PlayCo:

1800 655 041 | hello@playco.com.au | playco.com.au

