

# A-Frame Double with Birds Nest

## SWGA012

The A-Frame Double with Birds Nest is a premium Australian made swing set that blends classic playground fun with inclusive design, featuring one traditional swing seat alongside a spacious birds nest swing for shared and social play. Constructed from robust steel with high quality fittings, it is perfect for parks, schools, and community spaces seeking safe, durable, and engaging outdoor play equipment that promotes balance, coordination, and active play for children of all ages.



### Specifications

Age range: 5-12 years

Equipment height: 2700mm

Fall zone: 37.3m<sup>2</sup>

Max fall height: 1555mm

### Play Types



### Standards

Complies with relevant Australian Standards including: AS 4685:2021 (P1-6) | AS 4685.0:2017 | AS4422 (Int):2022

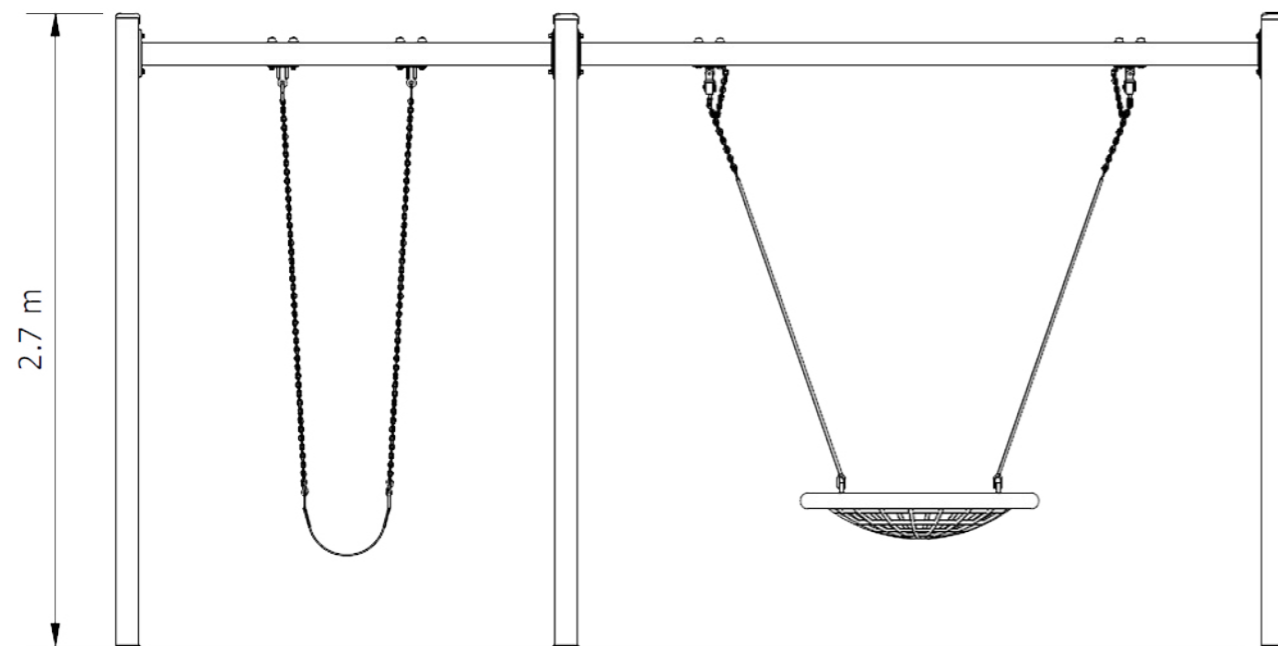
\*All information is commercial in confidence and is the property of The Play Collective. For details regarding Australian standards, warranties, insurances, QA and installation, please contact your local office. All information is correct as at February 2024.

# A-Frame Double with Birds Nest

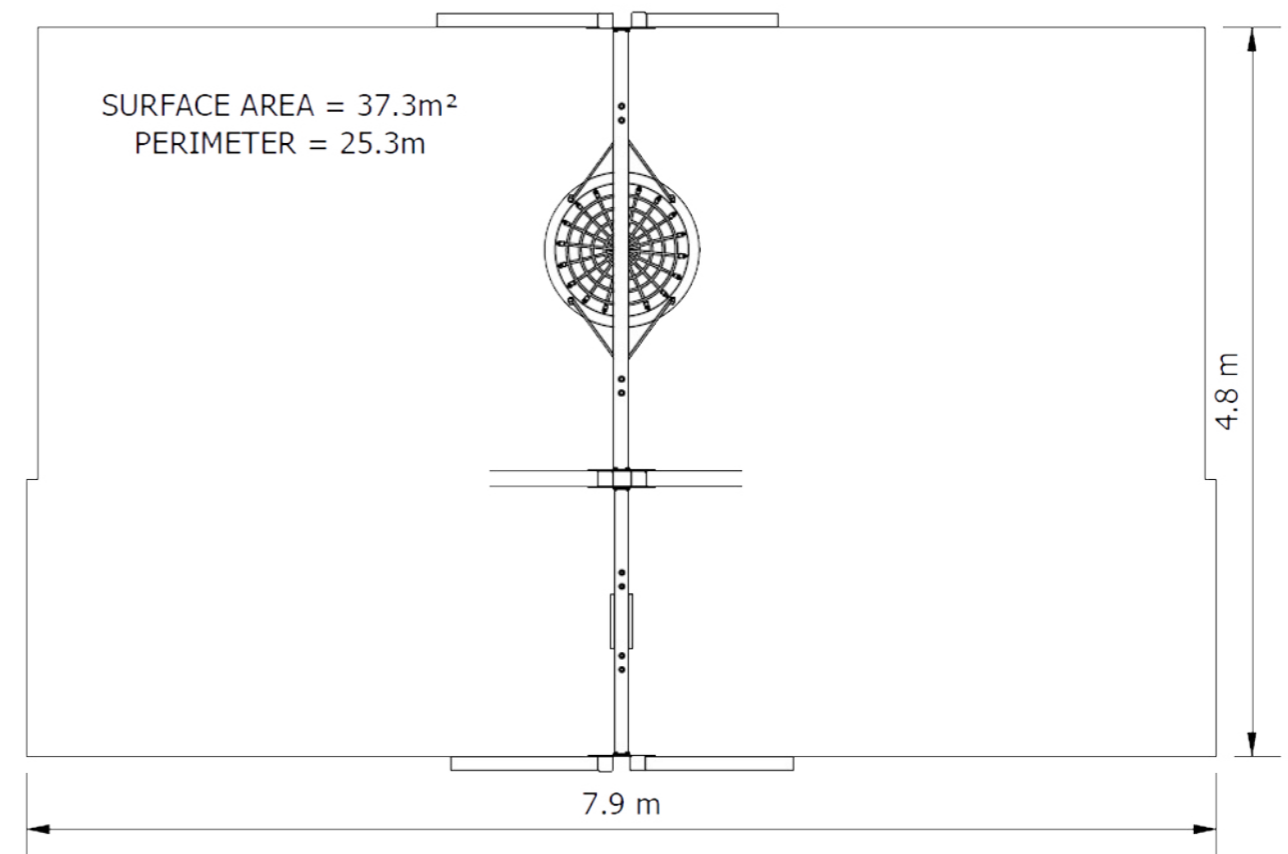
SWGA012



Elevation



Plan View



To learn more about our warranty, compliance, materials, or colour palette and customisation options, contact PlayCo:

1800 655 041 | [hello@playco.com.au](mailto:hello@playco.com.au) | [playco.com.au](http://playco.com.au)

