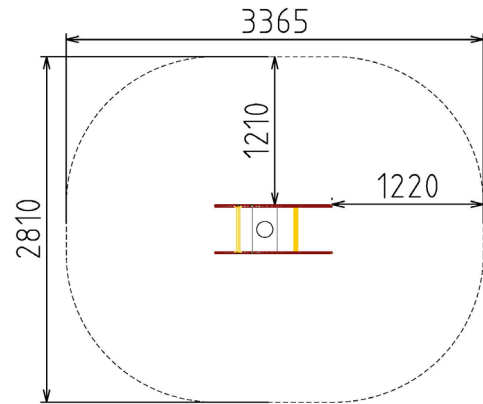
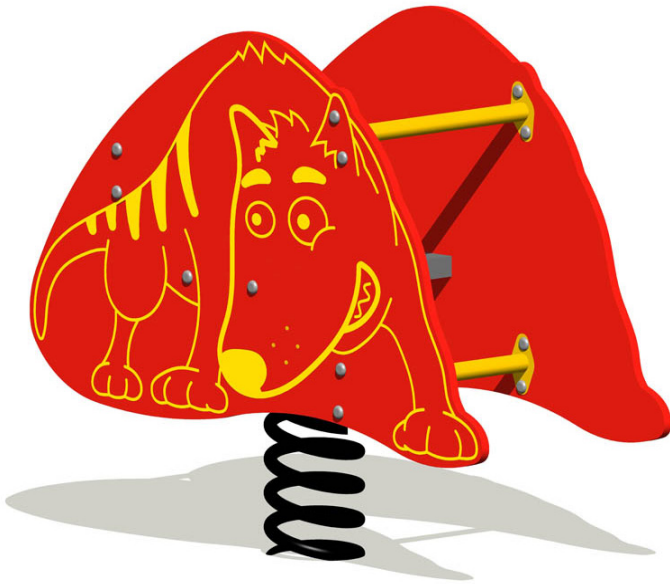


Tassie Tiger



Our Tassie Tiger rocker is a single themed spring product. It is a junior play item that offers a great rocking experience for children. Rocking on a Tassie Tiger rocker trains children's motor skills, balance and coordination.

Specifications

Code: SE47

Age range: All Ages

Max fall height: 430mm

Minimum fall zone: 8.2m²

Equipment size: 945mm x 400mm

Max equipment height: 700mm

Playspaces: Parks, schools, commercial

Materials

Colours	Panel: Red/ Blue/ Dark Green/ Brown
Material specs	Panel: Tri Laminate Seat: Cast Aluminum Rail: Galvanised Steel Fasteners: Steel & Stainless Steel Spring: Steel



Standards

Complies with relevant Australian Standards including: AS 4685:2021 (P1-6) | AS 4685.0:2017 | AS4422 (Int):2022

*All information is commercial in confidence and is the property of The Play Collective. For details regarding Australian standards, warranties, insurances, QA and installation, please contact your local office. All information is correct as at February 2024.