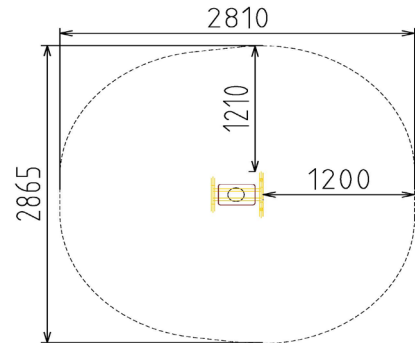
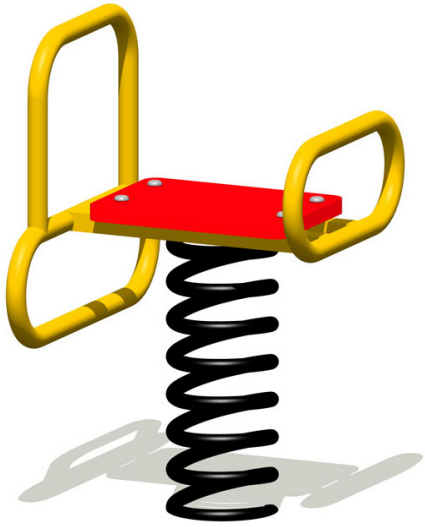


Critter Single Rocker



Our Critter Single Rocker is a single spring product. It is a junior play item that offers a great rocking experience for children with movement in all directions.

Specifications

Code: SE14

Age range: All Ages

Max fall height: 460mm

Minimum fall zone: 6.7m²

Equipment size: 410mm x 450mm

Max equipment height: 800mm

Playspaces: Parks, schools, commercial

Materials

Colours	Frame: Standard powder coat range Seat: Standard Powder Coat range
Material specs	Frame: Galvanised Steel Seat: Cast Aluminium Fasteners: Steel & Stainless Steel Powder Coating: 80-120u Spring: Steel



Standards

Complies with relevant Australian Standards including: AS 4685:2021 (P1-6) | AS 4685.0:2017 | AS4422 (Int):2022

*All information is commercial in confidence and is the property of The Play Collective. For details regarding Australian standards, warranties, insurances, QA and installation, please contact your local office. All information is correct as at February 2024.